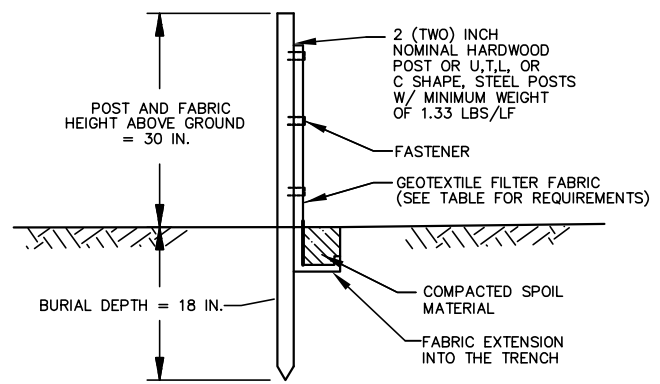
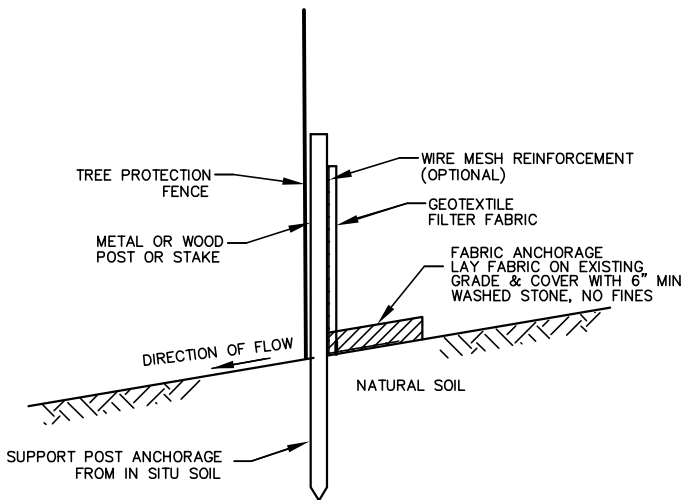


NOTE: DEPENDING UPON CONFIGURATION, ATTACH FABRIC TO WIRE MESH W/ HOG RINGS, STEEL POSTS W/ TIE WIRES, WOOD POSTS W/ NAILS.
 NOTE: INSTALL ON UPHILL SIDE OF TREE PROTECTION FENCE

STANDARD SILT FENCE DETAIL



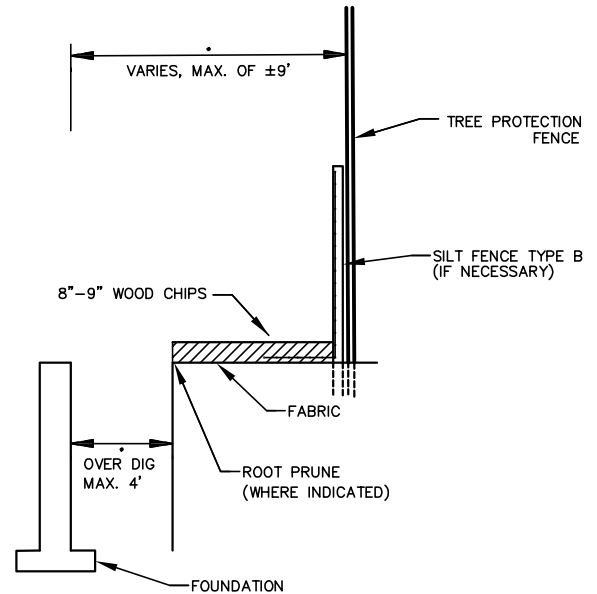
SILT FENCE POST DETAIL



NOTE: DEPENDING UPON CONFIGURATION, ATTACH FABRIC TO WIRE MESH W/ HOG RINGS, STEEL POSTS W/ TIE WIRES, WOOD POSTS W/ NAILS.
 NOTE: INSTALL ON UPHILL SIDE OF TREE PROTECTION FENCE

SILT FENCE TYPE B (CRITICAL ROOT ZONES)

TO BE USED IN AREAS THAT ARE ADJACENT TO TREE PROTECTION ZONES



ROOT ZONE MULCH PROTECTION

GEOTEXTILE REQUIREMENT	TEST METHOD	MARV
GRAB STRENGTH	ASTM D 4632	
-MACHINE DIRECTION		550 N
-X-MACHINE DIRECTION		450 N
PERMITTIVITY	ASTM D 4491	0.05 SEC-1
APPARENT OPENING SIZE	ASTM D 4751	0.60 MM
ULTRAVIOLET STABILITY (RETAINED STRENGTH)	ASTM 4355	70% AFTER 500 HOURS

NOTE: VALUE FOR APPARENT OPENING SIZE REPRESENTS MAXIMUM AVERAGE ROLL VALUE

VILLAGE OF RIVERWOODS SILT FENCE DETAILS